



### DIN 6914 Hex Bolt

Leader-Fastener is a manufacturer and distributor of **DIN 6914 Hex Bolt**. We have a complete line of service from having invested in production plants, export department and to having a quality control team and center to meet your requirements. We regard quality as the life of the company. We persist in good quality as the first policy and have established a set of quality control and inspection system according to the international standard. We have carried out ISO9001 Quality Guarantee System in every course of production, transportation and selling. We do hope we could be your partner in business by topping quality, knight service and competitive price in the near

future and be your friends as well.

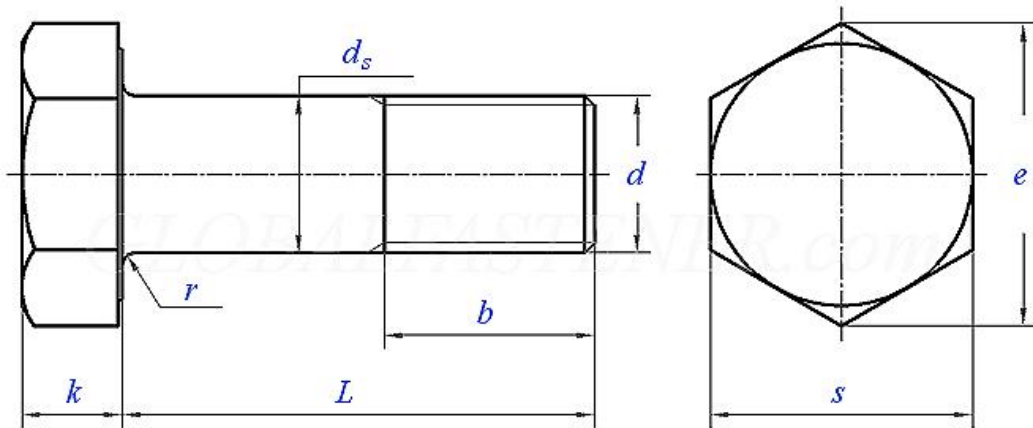
### DIN 6914 - High-strength injection structural bolts

Heavy Hexagon Structural Bolts, ideal for steel-to-steel structural connections, Heavy Hexagon Structural Bolts are a hexagon head bolt with a larger head and a shorter thread length than a regular hex head cap screw. Common applications include structural connections for buildings, bridges, or used in tandem with other structural fasteners. **Heavy Hexagon Structural Bolts (DIN 6914/EN 14399)** are available in Property Class 10.9, in both plain finish and hot-dipped galvanized. These industrial structural bolts are intended to be used with **Heavy Hexagon Structural Nuts (DIN 6915)** and Hardened Flat Washers (DIN 6916).

Heavy Hex Structural bolts are designed for high-strength steel to steel structural connections. Dimensionally, hex structural bolts are covered by the ASME B18.2.6 standard, and the material specifications are now covered by ASTM F3125 which replaced ASTM A325 and A490. In metric use, structural bolts are covered by DIN 6914, DIN EN 14399-4, ISO 7412 and material Classes 8.8 and 10.9.

Structural bolts have a high strength steel and are used in structural steelwork with high strength nuts and hardened steel washers. When they are tightened to a given minimum shank tension they are often abbreviated to HSFG (high strength friction grip) bolts. These bolts are usually short and have a heavy, large head, which helps to distribute load effectively. The head of the heavy hex structural bolt is specified to be the same size as the heavy hex nut of the same nominal diameter, allowing the bolt head and nut to be accessed with the same size wrench or socket.

## DIN 6914 - 1989 High-Strength Hexagon Bolts With Large Widths Across Flats For Structural Bolting



Thread Size		M12	M16	M20	M22	M24	M27	M30	M36
d									
P	Pitch	1.75	2	2.5	2.5	3	3	3.5	4
d <sub>s</sub>	Nominal Size	12	16	20	22	24	27	30	36
	max	12.7	16.7	20.84	22.84	24.84	27.84	30.84	37
	min	11.3	15.3	19.16	21.16	23.16	26.16	29.16	35
e	min	23.91	29.56	35.03	39.55	45.2	50.85	55.37	66.44
k	Nominal Size	8	10	13	14	15	17	19	23
	max	8.45	10.75	13.9	14.9	15.9	17.9	20.05	24.05
	min	7.55	9.25	12.1	13.1	14.1	16.1	17.95	21.95
r	min	1.2	1.2	1.5	1.5	1.5	2	2	2
s	max=nominal size	22	27	32	36	41	46	50	60
	min	21.16	26.16	31	35	40	45	49	58.8
Weight of per 1000 steel products(≈kg)		-	-	-	-	-	-	-	-
Length of Thread b		-	-	-	-	-	-	-	-

Material:Steel, Strength class 10.9 by DIN ISO 898-1